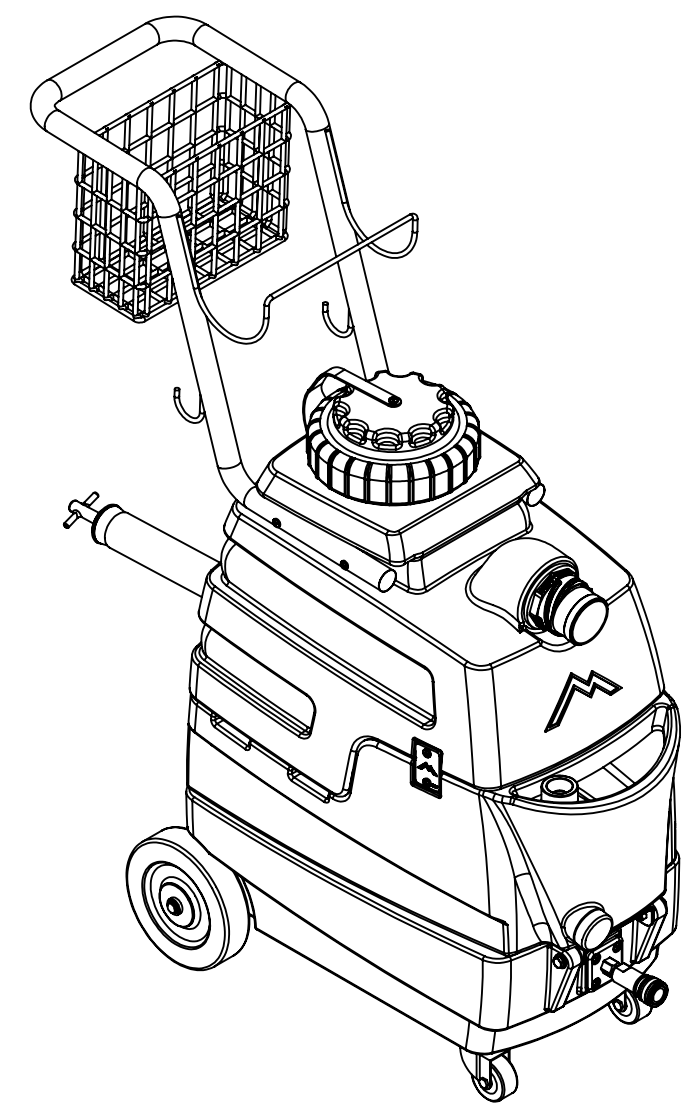


ITEM NO.	PART NO.	DESCRIPTION	QTY.
1	H135	Cuff-Lynx, 2" m cuff x 2" mpt	1
2	P583	vac tank, MyteeLite	1
3	H312	plate, connecting, MyteeLite	4
4	H230	screw, 10-32 x 1/2" phil pan head, s/s	28
5	G103	cap, 2.5" threaded, w barb	1
6	H303	hose, drain, 14"	1
7	H350	drain, hose plug, 1-1/2"	1
8	H423	plug, 7/8", black, heyco	2
9	H222	screw, 10-32 x 1-1/4" phil pan head, s/s	6
10	H688-A	handle, MyteeLite	1
11	G055	tether, cap, 6 1/2"	1
12	P560	cap, 6", threaded	1
13	G031	gasket, 3.25" i.d. x 5.88" o.d.	1
14	G022	filter, foam, 2-3/8" x 1"	1
15	G021	screen, mesh filter, 2-3/8" dia	1
16	H203	bolt, 1/4-20 x 1-1/4" hex head, s/s	2
17	H210	washer, 1/4" flat, s/s	6
18	H216	nut, lock, 1/4-20, nylon insert, s/s	2
19	H213	washer, 1/4" lock, s/s	2
20	H201	bolt, 1/4-20 x 1/2" hex head, zinc	2
21	H846B	cap, gallon jug, 1-5/8"	1
22	H379	bracket, front, small	1
23	B119	filter, strainer, 1/4"	1
24	P584	sol tank, MyteeLite	1
25	G004	gasket, vacuum motor	2
26	C302P	vac motor, 3 stage	1
27	H178	faucet fill	1
28	B241	adapter, brass, 3/8" barb x 1/4"mpt	1
29	PH612-60	clear tubing, 1/2" OD x 3/8" ID, faucet fill	1
30	H681	caster, 2", black hub, gray tread	2
31	H273	nut, kep, #10-32 zinc	15
32	P585	base, MyteeLite	1
33	H212	flat washer, 9/16"ID x 1 1/16"OD, AN960-C916	4
34	H427	washer, wave, axle	2
35	H279	wheel, 6"	2
36	H042	c-clip, 12mm, external	2
37	H254	washer, axle, cut 1/2" id	2
38	H241	axle, 13.63" x .50" dia	1
39	H029	plastite screw, 10 x 1/2"	4
40	E515	switch, rocker, 2 position	3
41	E531	power cord, end, 25', 12/3 black	1
42	H445	fitting, strain relief, w/ spring, 1/2" npt	1
43	H310	plate, switch, MyteeLite, 3 hole	1
44	H221	nut, lock, 1/2" steel	1
45	H486	latch, front	1
46	G068	bumper, 7/8" x 1/4" head	2
47	H256	screw, 10-32 x 3/4" phil pan head, zinc	2
48	B652	elbow, brass, 90 deg, 3/8"mpt x 1/4"mpt	1
49	AH157	hose, 3/8" x9" (OAL), f x fsw	1
50	C305	pump, 120 psi, 115V	1
51	B170	ferrule, 1/4" brass	2
52	B105	bushing, brass, 3/8"mpt x 1/4"	1
53	B152	elbow, brass, 90 deg, 1/4" barb x 1/4" mpt	1
54	PH634-13	sol hose, 1/4" silicone braided, clear	1
55	B110	adapter, brass, 1/4" sw barb x 1/4" fpt, w/gasket	1
56	B107	nipple, brass, 1/4"m, hex	2

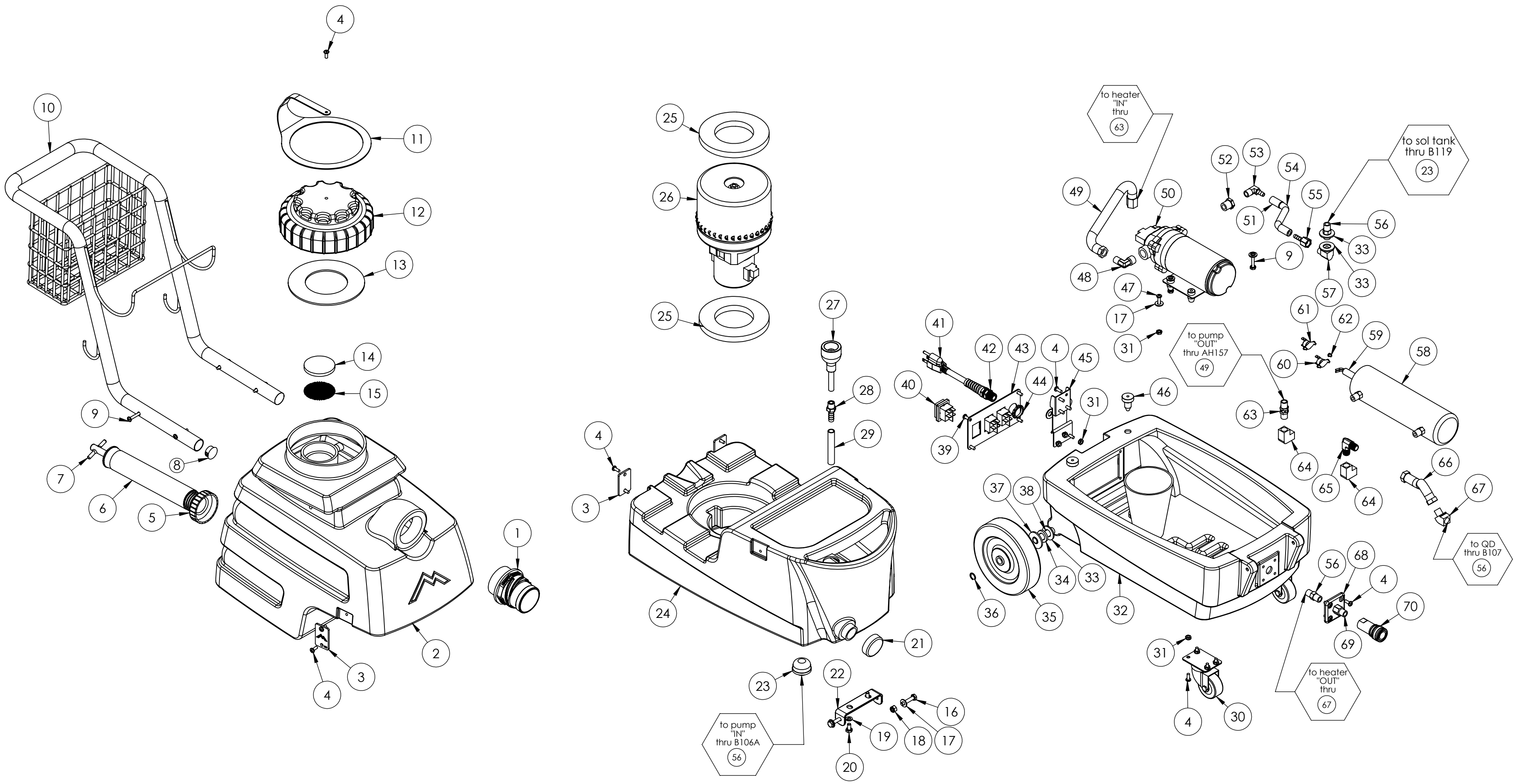
ITEM NO.	PART NO.	DESCRIPTION	QTY.
57	B103	elbow, brass, 90 deg, 1/4"mpt x 1/4" fpt	1
58	H903A	heater, aluminum cast, single	1
59	E519	heating rod, 1000W, 115V	1
60	E573	Thermostat, 200°, Auto, 1/4"	1
61	E574	Thermostat, 310°F ± 10°F, Manual, 1/4"	1
62	H274	screw, 6 x 3/16, phil pan head, self-tapping	5
63	B108	valve, brass, 1/4" check	1
64	B207	elbow, brass, 90 deg, 1/4" fpt x 1/4" fpt	2
65	B136	elbow, brass, 90 deg, 1/4" mpt x 1/4" mpt	1
66	AH184	hose, pulse, 3/8" x 14-1/2" (OAL), f	1
67	B130	45 deg, street elbow, brass, 1/4" male	1
68	H484	plate, mounting, QD	1
69	B111	adapter, brass, extender, 1/4" mpt x 1/4" fpt, hex	1
70	B102	qd, brass, 1/4" f x 1/4" fpt	1

**ITEMS NOT SHOWN**

PART NO.	DESCRIPTION	QTY.
A997	harness, electrical	1
B101	quick disconnect, male, 1/4" male x 1/4" fpt	2
B102	quick disconnect, 1/4" female x 1/4" fpt	1
B104	bushing, hex, 1/4" mpt x 1/8" fpt	1
AH136	sol hose, 1/5" x 15', 1/8 mpt x 1/4 mpt	1
G036	cap, 2.5" threaded, tethered	1
G079	hose wrap, heat guard	1
A935	sol hose, pigtail, 1/8 x 7 1/2	1
H701	hose, vac, 15' x 1-1/4" w/ 1 1/2 black cuffs	1
H282	tool, upholstery w/valve	1
H122	Cuff-Lynx, 1.25" hose cuff x 2" female cuff	1
H133	Cuff-Lynx, 1-1/4" hose x male & female	2
P590	cuties, 1/4" qd, strandard pack of 2	1
ADM-8070	manual, Mytee-Lite	1

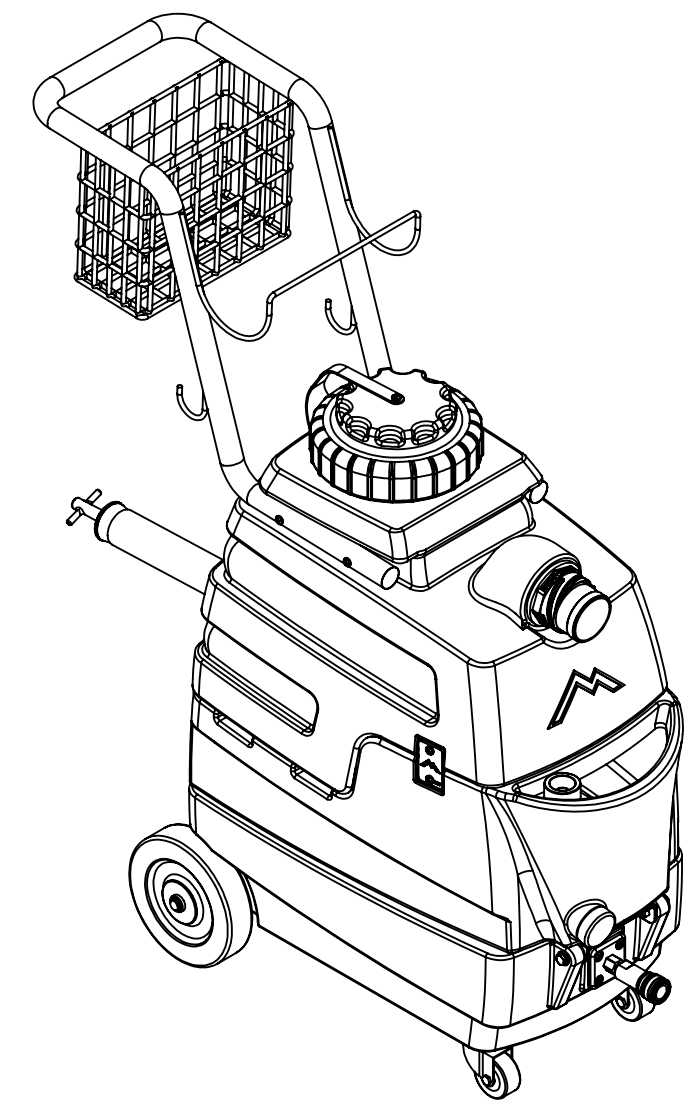


NAME	DATE	<b>MYTEE PRODUCTS, INC.</b> 858-679-1191	
DRAWN M.LaBarbera	1/2014	TITLE: <b>Mytee Lite</b>	
CHECKED		REV <b>F</b>	
COMMENTS:		SIZE DWG. NO.	SCALE: 1:24
<small>PROPRIETARY AND CONFIDENTIAL</small> <small>THE INFORMATION CONTAINED IN THIS DRAWING IS THE SOLE PROPERTY OF MYTEE PRODUCTS, INC. ANY REPRODUCTION IN PART OR AS A WHOLE WITHOUT THE WRITTEN PERMISSION OF MYTEE PRODUCTS, INC. IS PROHIBITED.</small>		<b>C</b> 8070	DO NOT SCALE DRAWING
			SHEET 1 OF 3



	NAME	DATE	<b>MYTEE PRODUCTS, INC.</b> 858-679-1191	
DRAWN	M.LaBarbera	1/2014	TITLE: <b>Mytee Lite</b>	
CHECKED			REV <b>F</b>	
COMMENTS:			SIZE DWG. NO.	SCALE: 1:24
<small> <b>PROPRIETARY AND CONFIDENTIAL</b>            THE INFORMATION CONTAINED IN THIS DRAWING IS THE SOLE PROPERTY OF MYTEE PRODUCTS, INC. ANY REPRODUCTION IN PART OR AS A WHOLE WITHOUT THE WRITTEN PERMISSION OF MYTEE PRODUCTS, INC. IS PROHIBITED.         </small>			<b>C</b>	8070
			DO NOT SCALE DRAWING	SHEET 2 OF 3

REVISIONS			
REV.	DESCRIPTION	DATE	APPROVED
OD	ORIGINAL DRAFT	1/3/2014	JFL
A	G004A REPLACED WITH G004	3/19/2014	ML
B	ADDED H212 AND B170	3/19/2014	ML
C	ADDED H029	6/18/2014	ML
D	ADDED H423, B110	7/11/2014	ML
E	ADDED B241, B111	4/15/2015	ML
F	RPLACED B136 WITH B652	4/13/2016	ML



	NAME	DATE	<b>MYTEE PRODUCTS, INC.</b> 858-679-1191	
DRAWN	M.LaBarbera	1/2014	TITLE: <b>Mytee Lite</b>	
CHECKED			REV <b>F</b>	
COMMENTS:			SIZE DWG. NO.	SCALE: 1:24
<b>PROPRIETARY AND CONFIDENTIAL</b> THE INFORMATION CONTAINED IN THIS DRAWING IS THE SOLE PROPERTY OF MYTEE PRODUCTS, INC. ANY REPRODUCTION IN PART OR AS A WHOLE WITHOUT THE WRITTEN PERMISSION OF MYTEE PRODUCTS, INC. IS PROHIBITED.			<b>C</b>	<b>8070</b>
			DO NOT SCALE DRAWING	SHEET 3 OF 3