



# **SCL FREE EVO 50BT + 2XGEL + BATTERY CHARGER**

*Content filters: validity 30/08/2019*

*30/08/2019*

*This page is intentionally left blank.*

8.527.0012 - SCL FREE EVO 50BT + 2XGEL + BATTERY CHARGER.....	4
R55092079-1 - SQUEEGEE.....	6
R55092084-3 - TANK COMPONENTS.....	8
R55092140-1 - BRUSH PLATE.....	12
R55110986-1 - CONTROLS.....	14
R8527AC01-1 - ACCESSORIES/COMPONENTS - B-BT/GR.....	16
Components index.....	18

**8.527.0012 - SCL FREE EVO 50BT + 2XGEL + BATTERY CHARGER**

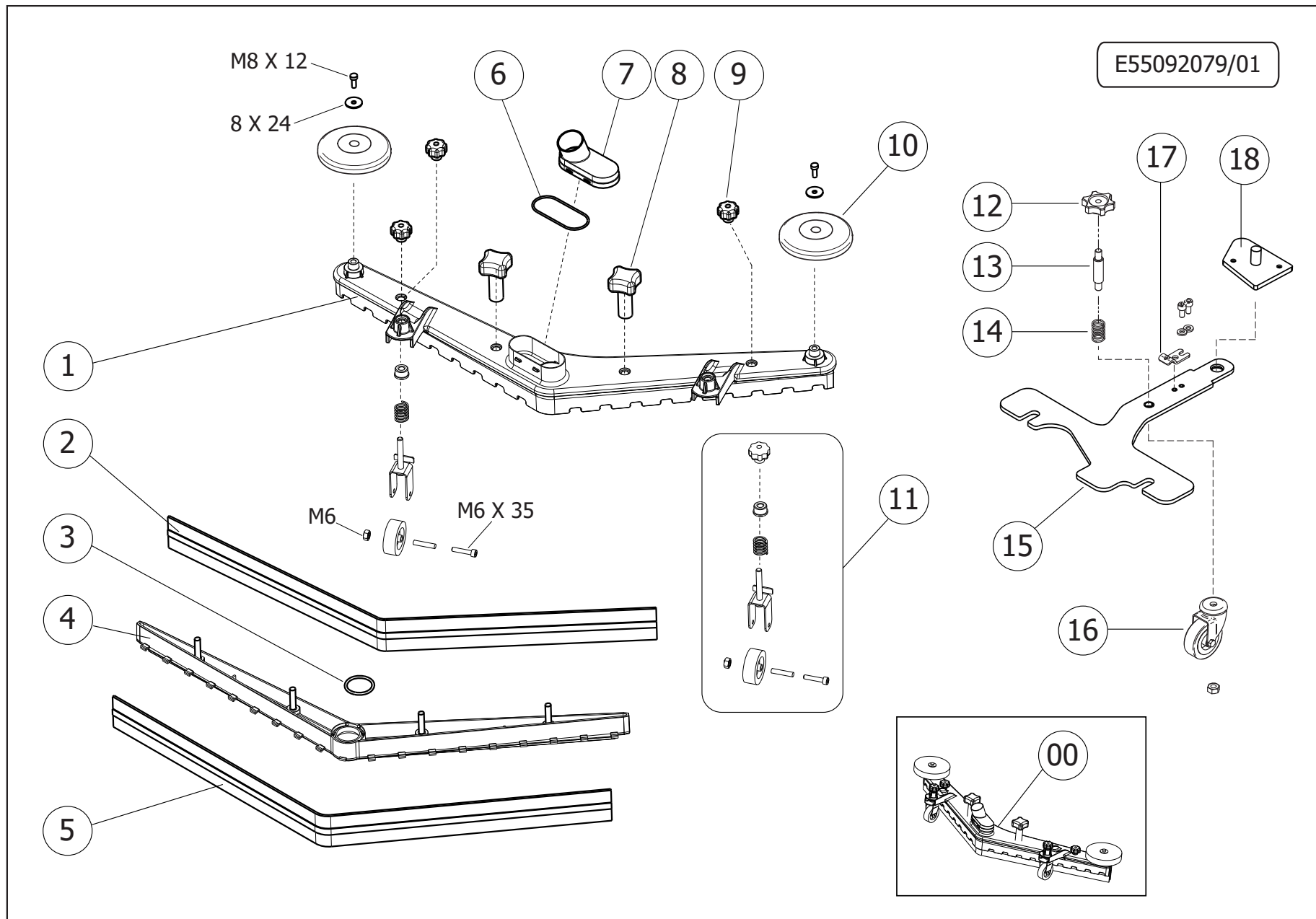
Validity: from 01/01/1900 to 01/01/9999

---

Pos.	Code	Description
0	R55092079-1	SQUEEGEE
0	R55092084-3	TANK COMPONENTS
0	R55092140-1	BRUSH PLATE
0	R55110986-1	CONTROLS
0	R8527AC01-1	ACCESSORIES/COMPONENTS - B-BT/GR

**R55092079-1 - SQUEEGEE**

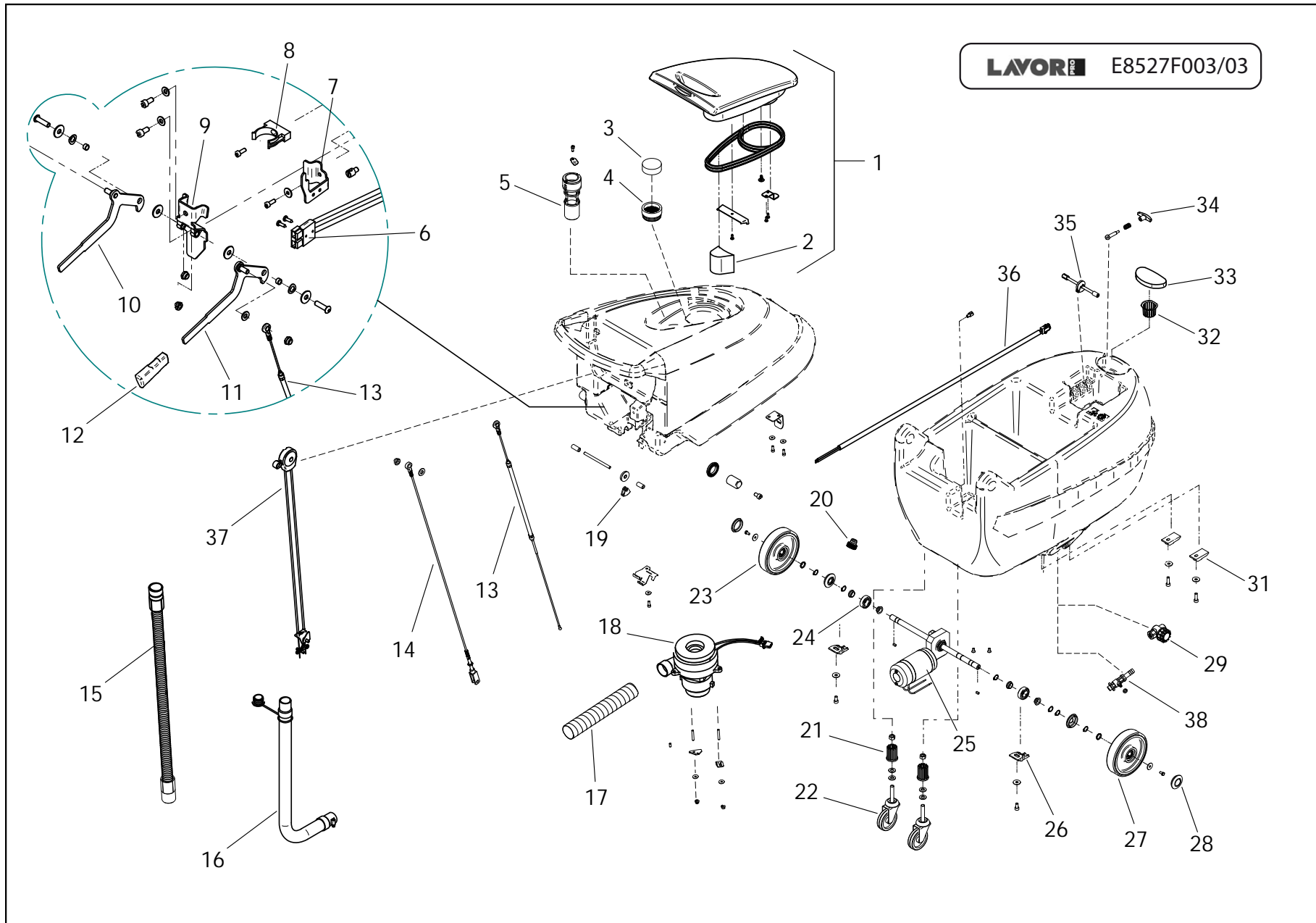
Validity: from 11/01/2013 to 01/01/3000



Pos.	Code	Substituted by	Q.ty	Purchasable	Min. Q.ty	For mainten.	Description
000	5.511.1795		1	Yes	1		SQUEEGEE ASSY
001	4.505.0866		1	Yes	1		SQUEEGEE L=780 MM SANDBLAST AND CATAPHORESIS TREATMENT
002	4.508.X468		1	Yes	2	ORD	FRONT SQUEEGEE BLADE L.830 TH.2,5
003	3.200.0168		1	Yes	12		O-RING 4143
004	4.508.0505		1	Yes	1		SQUEEGEE BLADES HOLDER
005	4.508.X467		1	Yes	2	ORD	REAR SQUEEGEE BLADE L.870 TH.3
006	3.200.0172		1	Yes	12		O-RING 3275
007	4.508.1552C	6.505.0056	1	Yes	3		SQUEEGEE SUCTION COMPARTMENTCOVER
008	3.099.1265		2	No			KNOB D.52 M8
009	3.099.0467		4	Yes	2		KNOB M8
010	4.508.0224		2	Yes	2	EXT	BUMPER WHEEL D.110 GREY
011	5.511.1823		2	Yes	1	EXT	SQUEEGEE WHEEL ASSEMBLY
012	3.099.1189		1	Yes	5		KNOB M8 H26
013	4.507.1385		1	Yes	3		ADJUSTING PIN
014	4.507.1076		1	Yes	12		SPRING
015	4.507.1478		1	Yes	1		SQUEEGEE SUPPORT
016	3.006.0076		1	Yes	2	EXT	SQUEEGEE WHEEL (D.50)
017	4.507.0854		1	Yes	5		BRACKET FOR SQUEEGEE LIFT CABLE
018	5.513.0299		1	Yes	1		SQUEEGEE SUPPORT PIN

### R55092084-3 - TANK COMPONENTS

Validity: from 31/03/2014 to 01/01/3000





Pos.	Code	Substituted by	Q.ty	Purchasable	Min. Q.ty	For mainten.	Description
001	5.511.1657		1	Yes	1		TANK COVER ASSEMBLY
002	4.508.0766		1	No			MT. 8 1/4 CONNECTION H.P. HOSEAIRFOAM GASKET
003	4.508.0768		1	Yes	12		CIRCULAR AIRFOAM GASKET
004	4.508.0770		1	Yes	2	ORD	RUBBER FILTER SWIFT B/E
005	5.511.1656		1	Yes	1		FLOAT ASSEMBLY
006	5.511.0703		1	Yes	1		BATTERY CONNECTION CABLE ASSEMBLY
007	4.507.0635		1	Yes	1		BRACKET FOR ANDERSON PLUG
008	3.099.0343		1	Yes	6		HOSE HOLDER D. 40
009	5.513.0134		1	Yes	1		LEVER SUPPORT
010	5.513.0133		1	Yes	1		BRUSH PLATE LIFTING ASSEMBLY
011	5.513.0132		1	Yes	1		SQG LIFTING LEVER ASSEMBLY
012	4.508.0971		2	Yes	3		HANDLE SPECIAL LEVEL (15X4)
013	3.099.1329	5.511.1331	1	Yes	1	EXT	SQUEGEE LIFT CABLE
014	3.099.0881		1	Yes	1		CABLE D.2,5x133 L=685
015	5.509.0629		1	Yes	1	EXT	SUCTION HOSE ASSEMBLY COMPACT
016	5.511.1655		1	Yes	1	EXT	EXHAUST PIPE ASSEMBLY
017	3.752.0167		1	Yes	1		AIR PIPE D.51 LENGHT 300mm
018	5.511.1251	5.511.1390	1	Yes	1	EXT	SUCTION MOTOR ASSEMBLY
019	4.506.0142		1	Yes	12		PULLEY FORK
020	5.511.0937		1	Yes	1	EXT	TANK DRAIN CAP ASSY
021	4.508.0866		2	No			WHEEL SUPPORT - SWIF B
022	3.006.0128		2	Yes	1	EXT	REVOLVING WHEEL D.80 OIL-PROOF+SCREW M12X80
023	3.006.0117		1	Yes	1	EXT	WHEEL D.160 HOLE 98 SHA d=17 -LEFT
024	3.001.0034		2	Yes	4		BALL BEARING 6004 2RS (42X20X12)
025	5.511.1792		1	Yes	1		GEARMOTOR ASSEMBLY
026	4.508.0689		2	Yes	12		FIXING WHEEL AXLE - SWIFT B
027	3.006.0118		1	Yes	1	EXT	WHEEL D.160 HOLE 98 SHA d=17 -RIGHT
028	3.099.1066		2	Yes	2		CAP FOR WHEEL - GREY
029	3.102.0026		1	Yes	1	ORD	WATER FILTER WITHOUT FLOW REGULATOR
031	4.507.0793		2	Yes	12		LEVER SUPPORT PLATE - SWIFT B
032	4.508.1064		1	Yes	12	ORD	DETERGENT TANK FILTER FOR SWIFT/FLICK

SCL FREE EVO 50BT + 2XGEL + BATTERY CHARGER - Content filters: validity 30/08/2019



### R55092084-3 - TANK COMPONENTS

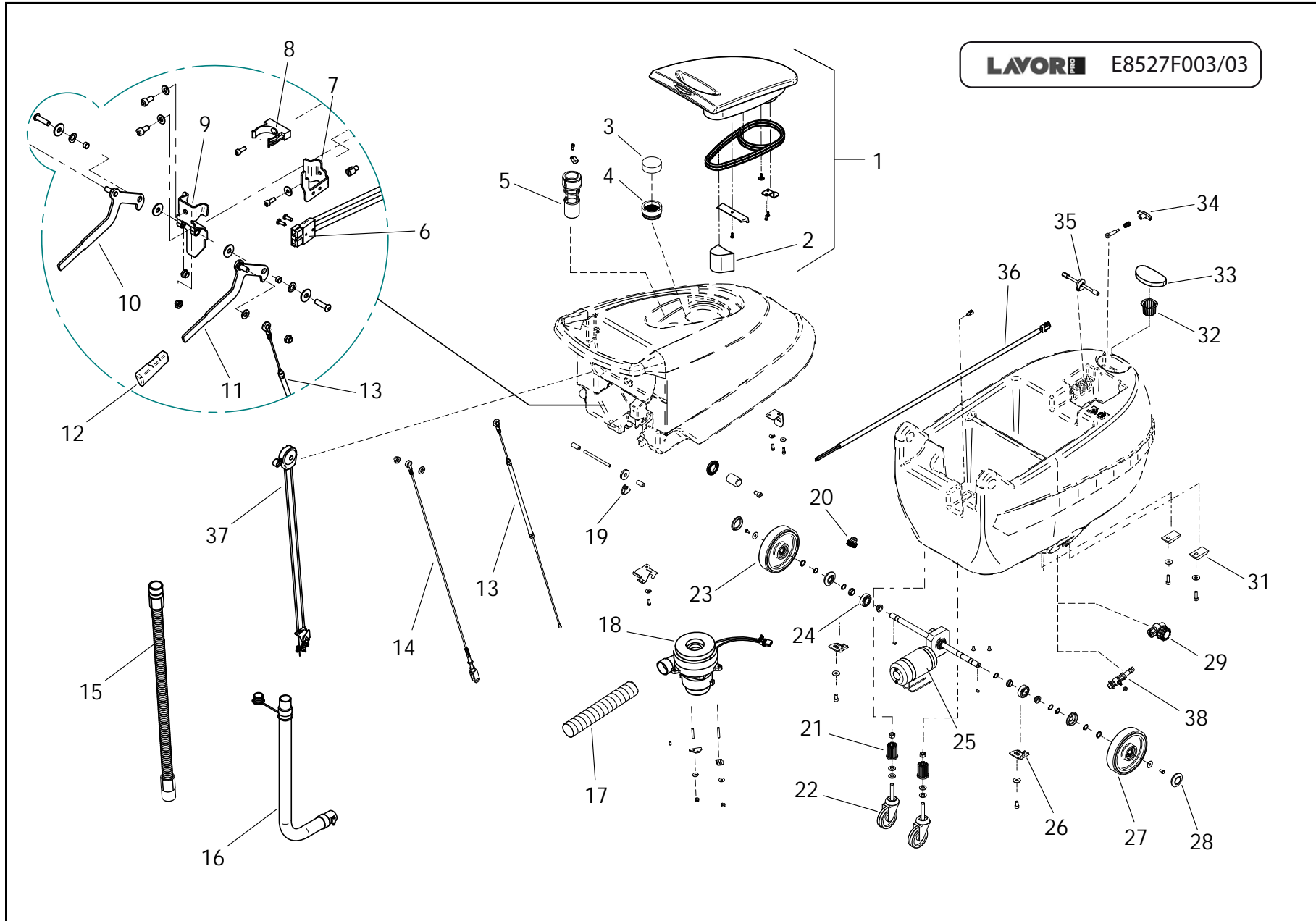
Validity: from 31/03/2014 to 01/01/3000

30/08/2019

Page 9 / 19

### R55092084-3 - TANK COMPONENTS

Validity: from 31/03/2014 to 01/01/3000

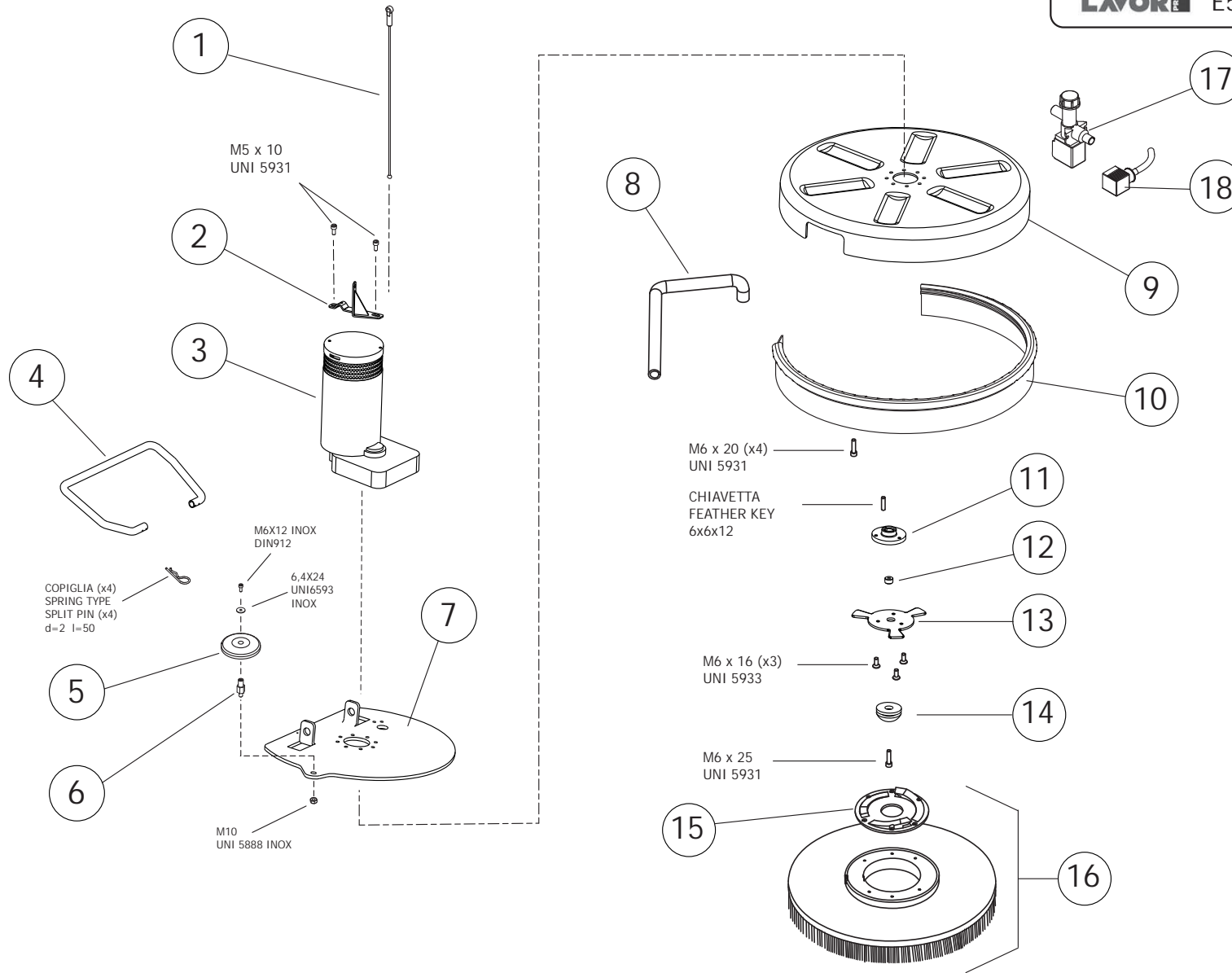


Pos.	Code	Substituted by	Q.ty	Purchasable	Min. Q.ty	For mainten.	Description
033	4.508.0739		1	Yes	12		SPONGE FILTER
034	3.099.0307		1	Yes	6		HANDLE FOR TIE ROD BLACK MODELMT/58/FFC-M6
035	5.511.0991		1	Yes	1		BRUSH PLATE LIFTING AXLE ASSEMBLY
036	3.499.0434		1	Yes	1		BRUSH MOTOR CABLING FREE BM/BT
037	3.099.1249		1	Yes	1	EXT	COMPLETE CONTROL WATER FREE
038	3.099.0868		1	Yes	1		BALL VALVE 3/8" F/F WITHOUT HANDLE

**R55092140-1 - BRUSH PLATE**

Validity: from 31/03/2014 to 01/01/3000

**LAVOR** E55092140/01

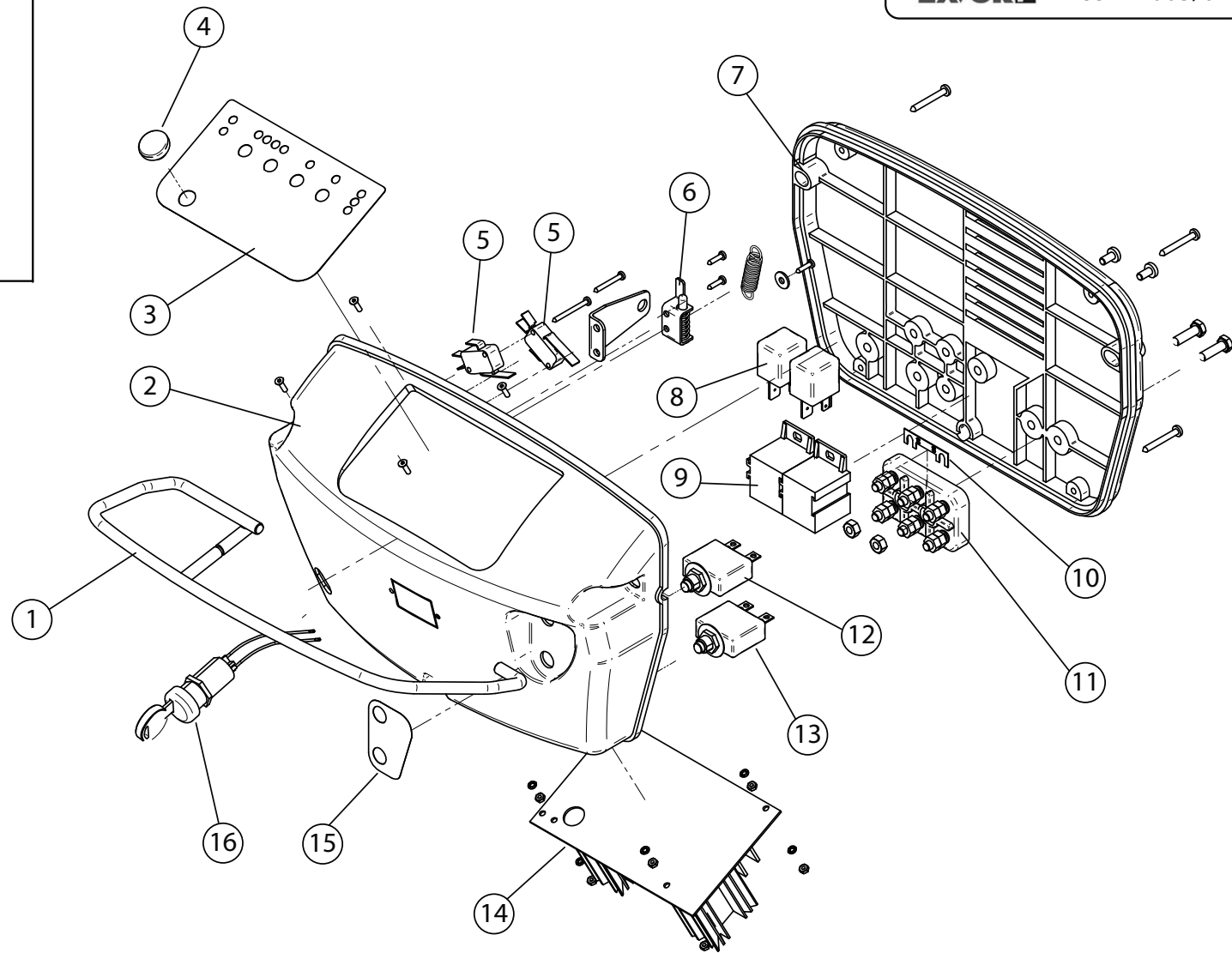
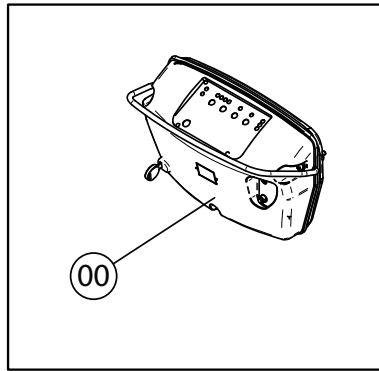


Pos.	Code	Substituted by	Q.ty	Purchasable	Min. Q.ty	For mainten.	Description
001	3.099.1730		1	Yes	1	EXT	S/S CABLE L=240mm
002	4.507.1482		1	Yes	1		BRACKET FOR MOTOR LIFTING CABLE-FREE EVO
003	5.501.0083		1	Yes	1		MOTOR+GEARBOX 24V DC 550W 150RPM (HY-231)
004	4.507.1465		1	Yes	1		BRUSH PLATE LIFTING BAR - FREEEVO
005	4.508.0224		1	Yes	2	EXT	BUMPER WHEEL D.110 GREY
006	4.507.0308		1	Yes	3		SUPPORT FOR BUMPER WHEEL
007	4.507.1463		1	Yes	1		BRUSH PLATE
008	3.099.0865		1	Yes	1		HOSE ARMONVILLE D.int.=14 L=580
009	4.508.1543		1	Yes	1		BRUSH COVER 50CM
010	4.508.1554		1	Yes	1	EXT	BUMPER FREE EVO
011	4.507.1470		1	Yes	1		BUSHING
012	4.507.1469		1	Yes	6		BUSHING
013	4.507.0300		1	Yes	1		BRUSH COUPLING
014	5.511.0867		1	Yes	1		BRUSH COUPLING ASSEMBLY
015	4.508.1192		1	Yes	2	EXT	UNIFIED FLANGE FOR BRUSH COUPLING
016	5.511.1097		1	Yes	1	ORD	PPL BRUSH 480 MM. W/UNIFIED COUPLING FLANGE
017	3.412.0044		1	Yes	1	EXT	SOLENOID VALVE 24V
018	4.512.0071	5.511.1633	1	Yes	1		CONNECTOR WITH CABLE

### R55110986-1 - CONTROLS

Validity: from 11/01/2013 to 01/01/3000

LAVOR E8527E003/01

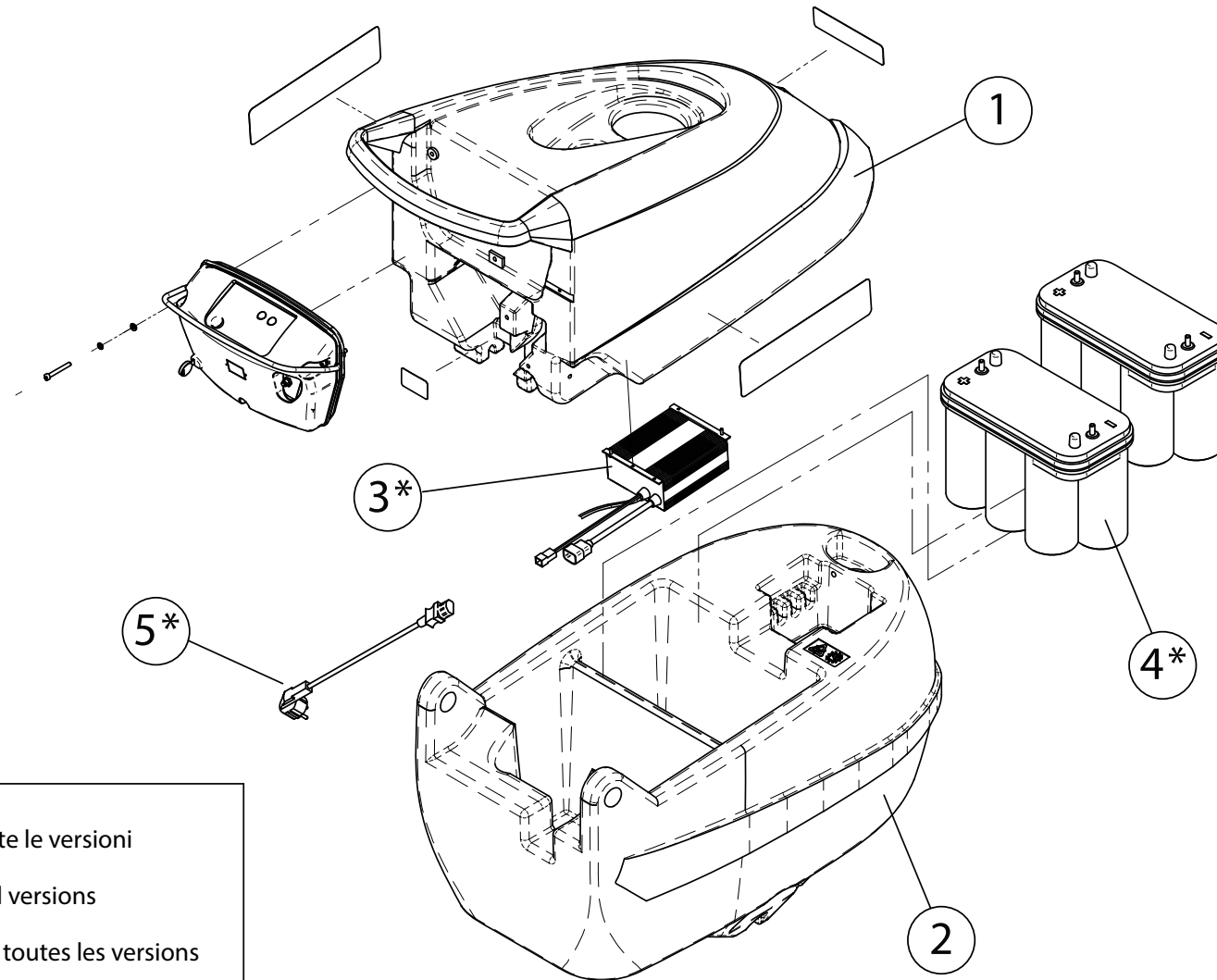


Pos.	Code	Substituted by	Q.ty	Purchasable	Min. Q.ty	For mainten.	Description
000	5.511.0986		1	Yes	1		ELECTRIC BOX ASSEMBLY
001	4.507.0706		1	Yes	1		LEVER
002	4.508.0396		1	Yes	1		ELECTRIC BOX COVER
003	7.503.0085		1	Yes	2		ADHESIVE LABEL FOR CONTROLS EASY-R BT TYPE
004	3.099.1529		1	Yes	12		COVER PLUG D. 20
005	3.401.0113		2	Yes	2	EXT	MICROSWITCH SAIA XGO2-88-J24
006	5.509.0556		1	Yes	1		CONTROL LEVER ASSEMBLY
007	4.508.0397		1	Yes	1		ELECTRIC BOX SUPPORT
008	3.402.0017		2	Yes	1	EXT	RELAY AUTOMOTIVE CB1AH-24V 70A
009	3.410.0022		2	Yes	1		RELAY SUPPORT FOR CB1AH
010	3.499.0135		1	Yes	12	EXT	STRIP FUSE 60A
011	3.405.0045		1	Yes	3		TERMINAL BOARD MEC584 70-45
012	3.401.0075		1	Yes	2	EXT	THERMAL CIRCUIT BREAKER 35A SM7350
013	3.401.0073		1	Yes	1	EXT	THERMAL CIRCUIT BREAKER 12A SM7120
014	4.515.0001		1	Yes	1	EXT	CONTROL BOARD 24V
015	7.503.0086		1	Yes	2		ADHESIVE LABEL (TRACT.&BRUSH)
016	3.499.0406	5.511.1566	1	Yes	1		IGNITION KEY FOR ELECTRONIC DASHBOARD CARD

**R8527AC01-1 - ACCESSORIES/COMPONENTS - B-BT/GR**

Validity: from 11/01/2013 to 01/01/3000

LAVOR E8527A001/01



\* = Non incluso in tutte le versioni

\* = Not included in all versions

\* = Pas présents dans toutes les versions

\* = No incluido en todas las versiones



Pos.	Code	Substituted by	Q.ty	Purchasable	Min. Q.ty	For mainten.	Description
001	4.508.0780	5.511.1336	1	Yes	1		RECOVERY TANK - LIGHT GREY
002	4.508.0477		1	Yes	1		SOLUTION TANK SWIFT B - GREY
003	0.108.0042		1	Yes	1	EXT	BATTERY CHARGER CBHD1 24V 10AIUIa-Gel
004	0.107.0054		2	Yes	1	EXT	BATTERY 12V 75AH YTS 5.5

## Components index

Code	Parts Table	Pos.	Q.ty
0.107.0054	R8527AC01-1	004	2
0.108.0042	R8527AC01-1	003	1
3.001.0034	R55092084-3	024	2
3.006.0076	R55092079-1	016	1
3.006.0117	R55092084-3	023	1
3.006.0118	R55092084-3	027	1
3.006.0128	R55092084-3	022	2
3.099.0307	R55092084-3	034	1
3.099.0343	R55092084-3	008	1
3.099.0467	R55092079-1	009	4
3.099.0865	R55092140-1	008	1
3.099.0868	R55092084-3	038	1
3.099.0881	R55092084-3	014	1
3.099.1066	R55092084-3	028	2
3.099.1189	R55092079-1	012	1
3.099.1249	R55092084-3	037	1
3.099.1265	R55092079-1	008	2
3.099.1329	R55092084-3	013	1
3.099.1529	R55110986-1	004	1
3.099.1730	R55092140-1	001	1
3.102.0026	R55092084-3	029	1
3.200.0168	R55092079-1	003	1
3.200.0172	R55092079-1	006	1
3.401.0073	R55110986-1	013	1
3.401.0075	R55110986-1	012	1
3.401.0113	R55110986-1	005	2
3.402.0017	R55110986-1	008	2
3.405.0045	R55110986-1	011	1
3.410.0022	R55110986-1	009	2
3.412.0044	R55092140-1	017	1
3.499.0135	R55110986-1	010	1

Code	Parts Table	Pos.	Q.ty
3.499.0406	R55110986-1	016	1
3.499.0434	R55092084-3	036	1
3.752.0167	R55092084-3	017	1
4.505.0866	R55092079-1	001	1
4.506.0142	R55092084-3	019	1
4.507.0300	R55092140-1	013	1
4.507.0308	R55092140-1	006	1
4.507.0635	R55092084-3	007	1
4.507.0706	R55110986-1	001	1
4.507.0793	R55092084-3	031	2
4.507.0854	R55092079-1	017	1
4.507.1076	R55092079-1	014	1
4.507.1385	R55092079-1	013	1
4.507.1463	R55092140-1	007	1
4.507.1465	R55092140-1	004	1
4.507.1469	R55092140-1	012	1
4.507.1470	R55092140-1	011	1
4.507.1478	R55092079-1	015	1
4.507.1482	R55092140-1	002	1
4.508.0224	R55092079-1	010	2
	R55092140-1	005	1
4.508.0396	R55110986-1	002	1
4.508.0397	R55110986-1	007	1
4.508.0477	R8527AC01-1	002	1
4.508.0505	R55092079-1	004	1
4.508.0689	R55092084-3	026	2
4.508.0739	R55092084-3	033	1
4.508.0766	R55092084-3	002	1
4.508.0768	R55092084-3	003	1
4.508.0770	R55092084-3	004	1
4.508.0780	R8527AC01-1	001	1

Code	Parts Table	Pos.	Q.ty
4.508.0866	R55092084-3	021	2
4.508.0971	R55092084-3	012	2
4.508.1064	R55092084-3	032	1
4.508.1192	R55092140-1	015	1
4.508.1543	R55092140-1	009	1
4.508.1552C	R55092079-1	007	1
4.508.1554	R55092140-1	010	1
4.508.X467	R55092079-1	005	1
4.508.X468	R55092079-1	002	1
4.512.0071	R55092140-1	018	1
4.515.0001	R55110986-1	014	1
5.501.0083	R55092140-1	003	1
5.509.0556	R55110986-1	006	1
5.509.0629	R55092084-3	015	1
5.511.0703	R55092084-3	006	1
5.511.0867	R55092140-1	014	1
5.511.0937	R55092084-3	020	1
5.511.0986	R55110986-1	000	1
5.511.0991	R55092084-3	035	1
5.511.1097	R55092140-1	016	1
5.511.1251	R55092084-3	018	1
5.511.1655	R55092084-3	016	1
5.511.1656	R55092084-3	005	1
5.511.1657	R55092084-3	001	1
5.511.1792	R55092084-3	025	1
5.511.1795	R55092079-1	000	1
5.511.1823	R55092079-1	011	2
5.513.0132	R55092084-3	011	1
5.513.0133	R55092084-3	010	1
5.513.0134	R55092084-3	009	1
5.513.0299	R55092079-1	018	1

<b>Code</b>	<b>Parts Table</b>	<b>Pos.</b>	<b>Q.ty</b>
7.503.0085	R55110986-1	003	1
7.503.0086	R55110986-1	015	1