



SOLARIS IF-03 120/60 -LAVOR- (senza spina)

Content filters: validity 15/01/2020

15/01/2020

This page is intentionally left blank.

8.221.0521 - SOLARIS IF-03 120/60 -LAVOR- (senza spina).....	4
R82210521 - SOLARIS IF-03 120/60 -LAVOR- (senza spina).....	6
Components index.....	10

8.221.0521 - SOLARIS IF-03 120/60 -LAVOR- (senza spina)

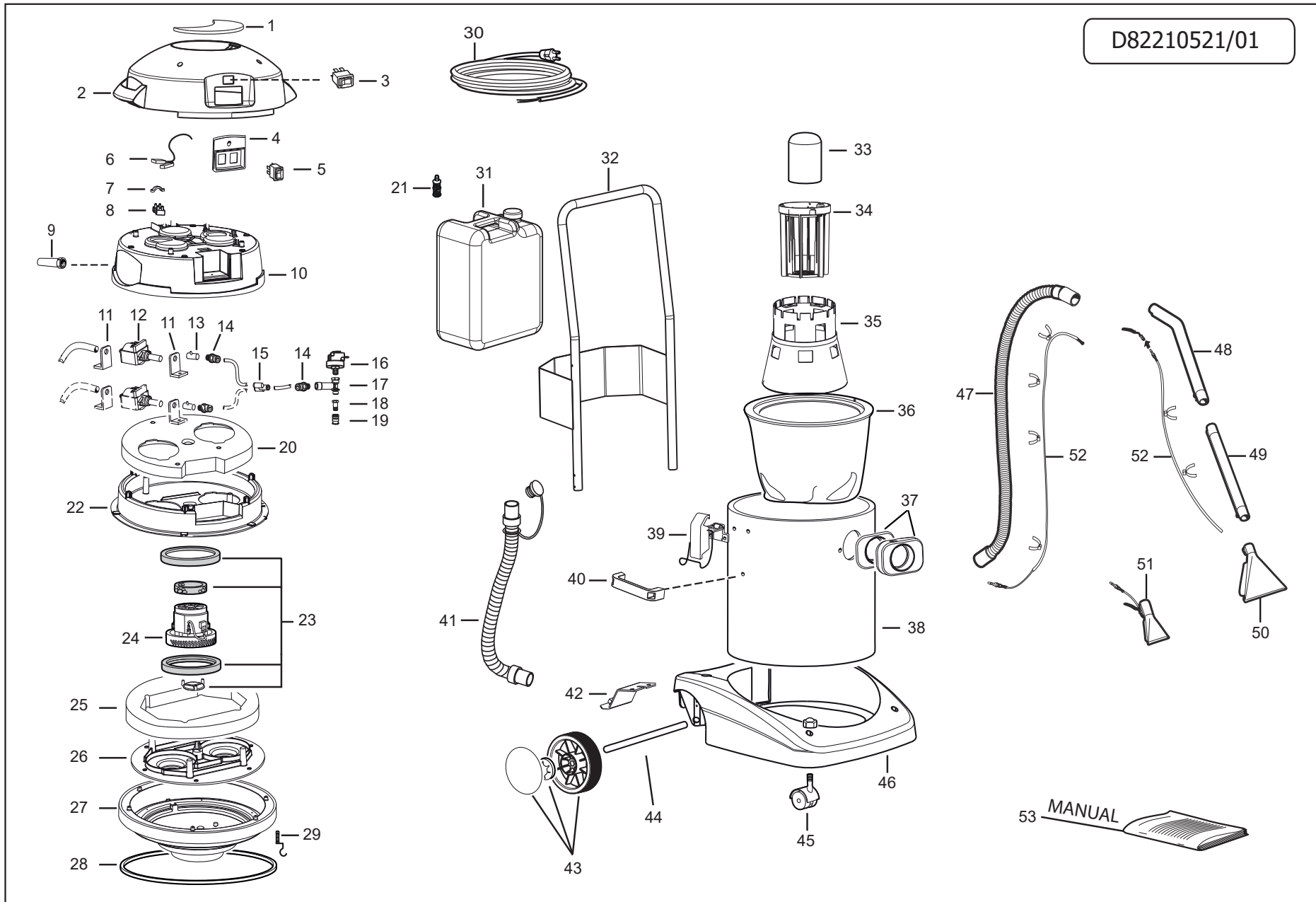
Validity: from 01/04/2019 to 31/12/3000

Pos.	Code	Description
0	R82210521	SOLARIS IF-03 120/60 -LAVOR- (senza spina)

R82210521 - SOLARIS IF-03 120/60 -LAVOR- (senza spina)

Validity: from 01/04/2019 to 31/12/9999

D82210521/01



Pos.	Code	Substituted by	Q.ty	Purchasable	Min. Q.ty	For mainten.	Description
001	4.208.0283		1	Yes	1		HANDLE FOR VACUUM CLEANER '03(DARK GREY RAL.7016)
002	4.208.0303		1	Yes	1		GREY HEAD FOR DOMUS-TAURUS (FOR COSTELLATION)
003	5.009.0293		1	Yes	1	EXT	RED BACKLIGHTED SWITCH WITH PROTECTOR
004	4.208.0242		1	Yes	1		BLACK SWITCH HOLDER WITH HOLEFOR COSTELLATION
005	5.009.0538		2	Yes	1	EXT	SWITCH ASSY + PROTECTION COVER14 (14)
006	4.212.0059		1	Yes	1		CABL. SEZ.0,75 BLU L=550mm X COSTELLAT. POMPA FF (versione 120V)
007	4.008.0277		1	Yes	1		FIX PAD CABLE HOLDER
008	3.405.0055		1	Yes	1		JUNCTION-BOX 4MMQ. 110 12 380V
009	3.406.0031		1	Yes	1		CABLE HOLDER 60X12X15.5 EPDM BLACK
010	4.208.0401		1	Yes	1		UNDER COVER
011	4.208.0313		4	Yes	1		L ANTIVIBRATION DEVICE FOR ULKA/CEME DETERG. PUMP PVC 70sh
012	3.752.0309		2	Yes	1		POMPA DETERGENTE ULKA 52W EF7 120/60 (UL)
013	3.106.0009		2	Yes	1		GREEN DEAERATOR
014	3.100.0134		3	Yes	1		CONNECTION D.6X1/8"M
015	3.100.0135		1	Yes	1		Y CONNECTIO FOR HOSE O.6
016	3.403.0081		1	Yes	1		PRESSURE SWITCH
017	4.006.0254		1	Yes	1		BY-PASS DIESEL VALVE
018	4.206.0002		1	Yes	1		BRASS COUPLING
019	3.752.0216		1	Yes	1		CONNECTION 1/4F
020	4.215.0097		1	Yes	1		SPONGE HLC 24 AU SP.60 D.340mm
021	6.205.0053		1	Yes	1		KIT SUCTION WATER FILTER + PLASTIC CONNECTION
022	4.208.0244		1	Yes	1		UPPER SEPARATOR BETWEEN MOTORS
023	6.205.0108		1	Yes	1	EXT	SPONGE KIT
024	3.755.0026		2	Yes	1	EXT	BRUSH MOTOR 115/60 FISE S4211TS20020
025	4.215.0126		1	Yes	1		SPONGE mm80x25x1250 PPI 60 -AU-
026	4.208.0087		1	Yes	1		LOWER SPACER VACUUM CLEANER PROF.'03-2 MOTORS
027	4.208.0293		1	Yes	1		MOTOR BASE x PROF.VACUUM CLEA.'03 (DARK GREY RAL.7016)
028	3.099.0455		1	Yes	1		GASKET
029	5.213.0001		1	Yes	1		ANTISTATIC PLATE
030	4.012.0389		1	Yes	1		CAVO SJTW-A 2X12AWG L=10mt C/TERMINALI A PUNTALE IN OTTONE
031	3.601.0150		1	Yes	1		TANICA BIANCA 25LT CON TAPPO FORATA PER ASPIRATORI

SOLARIS IF-03 120/60 -LAVOR- (senza spina) - Content filters: validity 15/01/2020



R82210521 - SOLARIS IF-03 120/60 -LAVOR- (senza spina)

Validity: from 01/04/2019 to 31/12/9999

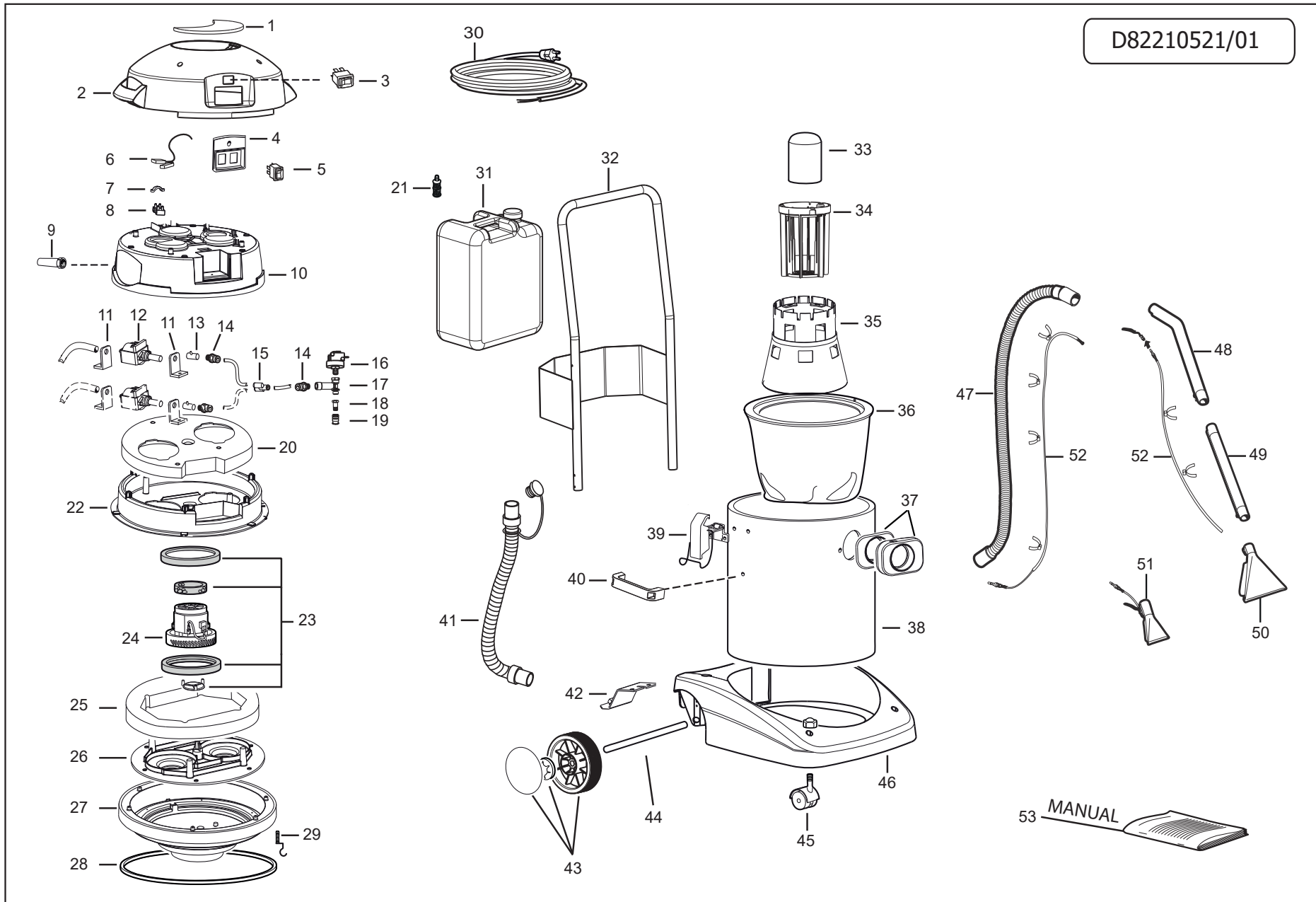
15/01/2020

Page 7 / 10

R82210521 - SOLARIS IF-03 120/60 -LAVOR- (senza spina)

Validity: from 01/04/2019 to 31/12/9999

D82210521/01



Pos.	Code	Substituted by	Q.ty	Purchasable	Min. Q.ty	For mainten.	Description
032	4.207.0030		1	Yes	1		IMPUGNATURA COSTELL.ECO C/FASC IA SUPP.TANICA CATAF.NERA
033	4.208.0096		1	Yes	1	EXT	FLOATING FOR DOMUS-TAURUS
034	4.208.0075		1	Yes	1		BASKET FOR PROFESSIONAL VACUUMCLEANER
035	4.208.0076		1	Yes	1		CONE
036	5.509.0039		1	Yes	1		FILTER
037	6.205.0071		1	Yes	1		KIT GASKET+PIPE UNION FOR PROFESSIONAL VACCUM
038	3.751.0016		1	Yes	1		INOX DRUM DOMUS/TAURUS
039	3.099.0454		2	Yes	1	EXT	HOOK 2.05/621 ZNT FOR BODY TAURUS '03
040	4.208.0132		2	Yes	1		HANDLE FOR DRUM (ZEUS-DOMUS- TAURUS).
041	6.205.0189		1	Yes	1		KIT OUTLET PIPE mt.0,90
042	4.207.0029		1	Yes	1		BRACKET
043	6.205.0208		1	Yes	1		KIT RUOTE D.175 C/BORCHIA GR.SCURO RAL.7016
044	4.207.0005		1	Yes	1		WHEELS AXLE FOR ZEUS-DOMUS-TAURUS D.15 L.490
045	3.006.0058		3	Yes	1	EXT	WHEEL PIV. D.60 H82 M10x20 XECO VERSION (A122211TGN)
046	4.208.0287		1	Yes	1		DOMUS-TAURUS BASE'03 (DARK GREY) RAL 7016
047	5.209.0021		1	Yes	1	EXT	COMPLETE FLEXIBLE HOSE MT. 2.5D.40
048	3.753.0019		1	Yes	1		STEEL CURVED HOSE D. 38.2
049	3.753.0020		1	Yes	1		STEEL HOSE D. 38.2
050	5.209.0142		1	Yes	1		INJECTION/EXCTRACTION LARGE CARPET TOOL
051	5.209.0143		1	Yes	1		SMALL INJ./EXTR. NOZZLE
052	5.211.0059		1	Yes	1		CARPET ACCESSORY
053	7.300.0290		1	Yes	1		MANUALE SOLARIS IF-03/ERIS 78 +CE LWS 9L A5 56F

SOLARIS IF-03 120/60 -LAVOR- (senza spina) - Content filters: validity 15/01/2020



R82210521 - SOLARIS IF-03 120/60 -LAVOR- (senza spina)

Validity: from 01/04/2019 to 31/12/9999

15/01/2020

Page 9 / 10

Components index

Code	Parts Table	Pos.	Q.ty
3.006.0058	R82210521	045	3
3.099.0454	R82210521	039	2
3.099.0455	R82210521	028	1
3.100.0134	R82210521	014	3
3.100.0135	R82210521	015	1
3.106.0009	R82210521	013	2
3.403.0081	R82210521	016	1
3.405.0055	R82210521	008	1
3.406.0031	R82210521	009	1
3.601.0150	R82210521	031	1
3.751.0016	R82210521	038	1
3.752.0216	R82210521	019	1
3.752.0309	R82210521	012	2
3.753.0019	R82210521	048	1
3.753.0020	R82210521	049	1
3.755.0026	R82210521	024	2
4.006.0254	R82210521	017	1
4.008.0277	R82210521	007	1
4.012.0389	R82210521	030	1
4.206.0002	R82210521	018	1
4.207.0005	R82210521	044	1
4.207.0029	R82210521	042	1
4.207.0030	R82210521	032	1
4.208.0075	R82210521	034	1
4.208.0076	R82210521	035	1
4.208.0087	R82210521	026	1
4.208.0096	R82210521	033	1
4.208.0132	R82210521	040	2
4.208.0242	R82210521	004	1
4.208.0244	R82210521	022	1
4.208.0283	R82210521	001	1

Code	Parts Table	Pos.	Q.ty
4.208.0287	R82210521	046	1
4.208.0293	R82210521	027	1
4.208.0303	R82210521	002	1
4.208.0313	R82210521	011	4
4.208.0401	R82210521	010	1
4.212.0059	R82210521	006	1
4.215.0097	R82210521	020	1
4.215.0126	R82210521	025	1
5.009.0293	R82210521	003	1
5.009.0538	R82210521	005	2
5.209.0021	R82210521	047	1
5.209.0142	R82210521	050	1
5.209.0143	R82210521	051	1
5.211.0059	R82210521	052	1
5.213.0001	R82210521	029	1
5.509.0039	R82210521	036	1
6.205.0053	R82210521	021	1
6.205.0071	R82210521	037	1
6.205.0108	R82210521	023	1
6.205.0189	R82210521	041	1
6.205.0208	R82210521	043	1
7.300.0290	R82210521	053	1